

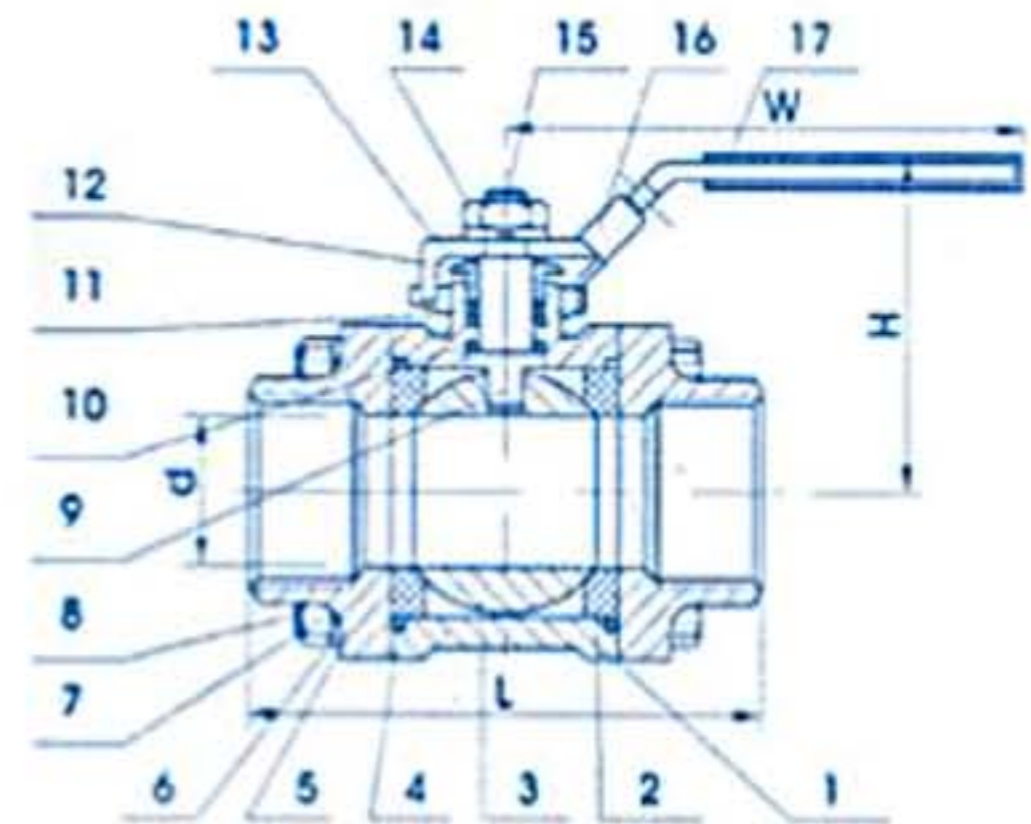
# STAINLESS STEEL BALL VALVE



## 3-PC BALL VALVE FULL PORT SCREWED END!

### FEATURE AND APPLICATION

- ◆ Inspection & testing according to API 598
- ◆ Investment cast benefits high quality casting
- ◆ 3-Piece body design, Full port
- ◆ Blow-out proof stem.
- ◆ Applicable Medium : Water, Oil, Gas, Steam, Chemical
- ◆ Screwed end BSPT Connection
- ◆ Lever Handle Operation
- ◆ Max. Working Pressure : 1000 PSI (69Bar)
- ◆ Max. Working Temperature: -10°C To 180°C
- ◆ Size Range : 1/4" - 2"



### Bill of Materials

Sequence	Description	Material	Sizes
1	Body	SUS 316	All
2	Ball Seat	PTFE	All
3	Ball	SUS 316	All
4	Body Gasket	PTFE	All
5	Cap	SUS 316	All
6	Spring Washer	SUS 304	All
7	Nut	SUS 304	All
8	Bolt	SUS 304	All
9	Stem	SUS 316	All
10	Thrust Washer	PTFE	All
11	Stem Packing	PTFE	All
12	Gland Nut	SUS 304	All
13	Handle	SUS 304	All
14	Spring Washer	SUS 304	All
15	Nut	SUS 304	All
16	Lock Device	SUS 304	All
17	Handle Cover	Plastic	All

### Dimensions

mm					
DN	INCH	D	L	H	W
8	1/4"	11.6	60	52	108
10	3/8"	12.7	60	52	108
15	1/2"	15	75	57	108
20	3/4"	20	78	59	132
25	1"	25	85	71	153
32	1-1/4"	32	104	78	153
40	1-1/2"	38	120	91	195
50	2"	50	130	92	195
65	2-1/2"	65	163	131	265
80	3"	80	182	140	265
100	4"	100	230	175	285

